

# NAVIGATEWORX NR310



Intelligent 4G LTE VPN Router, Industrial Design,  
Dual SIM Failover, RS232 and RS485 Serial connection

Navigateworx NR310 industrial cellular VPN router enables wireless data connectivity over public and private LTE cellular networks at 4G speeds.

NR310 router has dual SIM backup, 2 Ethernet ports, RS232 and RS485 interfaces are provided to support Serial to IP communication. NR310 router supports 9 to 36 VDC wide range power inputs, designed with reverse-voltage protection mechanism for greater reliability. It is an advanced choice for universal wireless M2M applications with reliable features for data transmission.

## TYPICAL APPLICATION



### Secure and reliable internet access

- Wireless Mobile Broadband 2G / 3G / 4G Connection
- Connection managers ensure seamless communication
- Support Multiple VPN tunnels for data encryption

### Designed for industrial usage

- Power Input Range 9 to 36 VDC
- Industrial design for harsh environment
- Aluminum casing and din-rail installation

### Easy to use and easy maintenance

- User friendly web interface for user interaction
- Support Central Management Platform
- Reduce high costs for onsite maintenance

# SPECIFICATIONS

CELLULAR	
Frequency Bands	LTE FDD: B1/B2/B3/B4/B5/B7/B8/B20/B28/B28A LTE TDD: B40 WCDMA: B1/B2/B5/B8 GSM: B2/B3/B5/B8 <b>More Bands Demands please contact with us</b>
SIM	2 x SIM slots, 1.8V / 3V
SIM Failover	Auto-switch cases: data limited, no network, network denied, data connection fail
Antennas	2 (MAIN + AUX), SMA female
ETHERNET	
Number of Ports	1 x WAN + 1 x LAN or 2 x LAN, Auto 10/100 Mbps
Magnet Isolation Protection	1.5 KV
Wi-Fi	
Wireless Mode	IEEE 802.11b/g/n, Access Point (AP), Client
Wireless Speed	150 Mbps
Wireless Security	WPA, WPA2, WEP, CCMP, TKIP
Frequency Bands	2.412 - 2.484 GHz (2.4 GHz ISM band)
Antennas	1 x RP-SMA for Wi-Fi antenna connectors
SERIAL	
Number of Ports	1 x RS-232 (3 PIN) + 1 x RS-485
Connector	Terminal block
ESD Protection	± 15 KV
Baud Rate	300bps to 115200bps
POWER	
Connector	2-pin 3.5 mm female socket
Input Voltage Range	9 to 36 VDC
Power Consumption	Idle: 100 mA@12 V Data link: 400 mA (peak) @12 V
HARDWARE	
Watchdog	Built-in watchdog
LEDs	SYS, NET, USR, RSSI x 3
Reset Button	Reset/restore to factory default button
Ingress Protection	IP30
Housing & Weight	Aluminum, 220 g
Dimensions	103.3 mm x 82.8 mm x 28.8 mm
Installations	DIN-rail mounting
Operating Temperature	-40 °C to 75 °C
Operating Humidity	5% to 95% non-condensing
NETWORK	
Routing	Static routing
Network Protocols	TCP, UDP, IPv4, ICMP, NTP, DNS, HTTP, HTTPS, ARP, PPP, PPPoE, DHCP, IP Passthrough, VRRP
Connection Manager	Ping Detection, Timer Reboot, ICMP for link detection, Call Reboot
Firewall	Flexible access control of TCP, UDP, ICMP packets, MAC address filter
DDNS	Supported some service providers, others can be configured manually
SMS	SMS Configuration, SMS Gateway, SMS Notification
VPN	
OpenVPN	OpenVPN server/client mode, client mode supports up to 5 x OpenVPN tunnels
GRE	Layer2 and Layer3, supports up to 5 x GRE VPN tunnels
IPsec	IKEv1, IKEv2, supports up to 5 x IPsec VPN tunnels

## MONITORING & MANAGEMENT

Web GUI	HTTP/HTTPS, firmware upgrade
Command Line Interface	SSHv2 and TELNET
Management platform	Central Management Platform

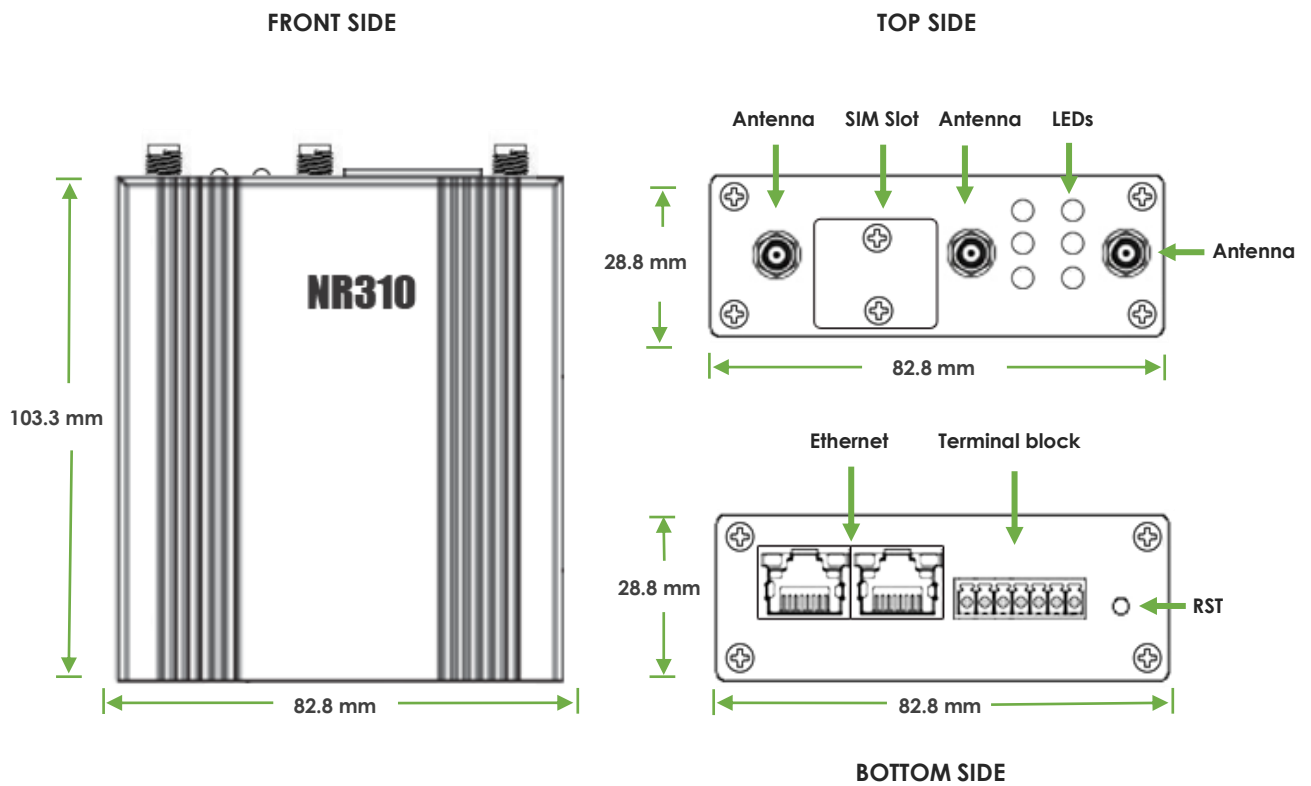
## APP CENTER

Apps	<b>VPN:</b> L2TP, PPTP, DMVPN <b>Network:</b> Dynamic Routing (RIPv1/v2, OSPF, BGP), Email Notification, Enforce Modem PPP, OoS <b>Management:</b> AT over IP, AT over COM, AT over Telnet, SNMPv1/v2/v3/, TR069, DMPC <b>Protocol Converter:</b> Modbus Master, Modbus Slave, Modbus ID Mapping, Modbus Gateway IEC101-104, DLMS to IEC104, Modbus to DNP3 <b>More Apps Demands please contact with us</b>
------	--

## APPROVAL

EMI	EN 55032:2012 Class B	
EMS	IEC 61000-4-2 ESD	Level 4
	IEC 61000-4-3 RS	Level 3
	IEC 61000-4-4 EFT	Level 3
	IEC 61000-4-5 Surge	Level 3
	IEC 61000-4-6 CS	Level 3
	IEC 61000-4-12	Level 3
Vibration	EN50155	

## DIMENSIONS



# ORDERING INFORMATION

MODEL	PART NUMBER	DESCRIPTION
 NR310-4G	A312430	4G LTE, Dual SIMs, 2 x Eth, 1 x RS232 (3 PIN), 1 x RS485, 9 - 36VDC, 2.4GHz Wi-Fi
<b>OPTIONAL ACCESSORIES</b>		
 Power Supply	F001009	Power Supply Adapter, EU Plug, Input 100 to 240VAC, Output 12V DC 1.5A
	F001011	Power Supply Adapter, AU Plug, Input 100 to 240VAC, Output 12V DC 1.5A
	F001012	Power Supply Adapter, US Plug, Input 100 to 240VAC, Output 12V DC 1.5A
	F001013	Power Supply Adapter, UK Plug, Input 100 to 240VAC, Output 12V DC 1.5A
 LTE Rubber Antenna	F001006	4G / 3G / 2G Rubber Antenna, 698-960 / 1710-2170 / 2500-2700 MHz, 2dbi, $\Phi 8 \times 108$ mm, AC
 LTE Magnet Antenna	F001007	4G / 3G / 2G Magnet Antenna, 3 Meters Long, 698-960 / 1710-2700 MHz, 3dbi, $\Phi 29 \times 112$ mm, AC
 Wi-Fi Rubber Antenna	F001004	Wi-Fi Rubber Antenna, 2.4G-2.483G, 5dbi, $\Phi 13 \times 197$ mm, AC
 Wi-Fi Magnet Antenna	F001005	Wi-Fi Magnet Antenna, 3 Meters, 2.4G - 2.483G, 7dbi, $\Phi 29 \times 220$ mm, AC
 Din-Rail	F004001	Din Rail Kit, 35 mm, Aluminum with Black Spray Surface, 50 * 40 * 8.5 mm, 3 * M3.5 Screw Holes

## ABOUT NAVIGATEWORX

**ADDRESS:** 4th Floor, C Building, Jingsheng Creative Industry Center,  
No. 2801, Huangpu East Road, Huangpu District,  
Guangzhou City, China

**PHONE:** +86-20-86669763  
**EMAIL:** sales@navigateworx.com  
**WEB:** www.navigateworx.com